

Flexible Strut Channel Support System For Cable Tray & Pipes,  
Industrial Fasteners, Hardware Products, Fabricated Sheet Metal  
Components, Forging & Casting Products.



## Company Profile

**G.N.INDUSTRIES** established in the year 2017 with the extreme efforts of Mr. Govind Kumar. Our company, as an INDIA based Manufacturer, Supplier & Exporter of **Flexible Strut Channel Support System for Hanging the Cable Trays & Pipes (As per BS 6946:1988) Industrial Fasteners, Hardware Products, Forging & Casting Products.** Our company are located in the heart of industrial complex of Ludhiana, INDIA with the total covered area of 10000 square feet which are equipped with the latest manufacturing machines and tools. Our company is excellence in quality control and delivery as per the ISO 9001:2015 certification. The total production process is run under one roof to ensures controlled quality, on-time delivery & competitive prices. Our company vow by global ethics & environmentally friendly procedures to get the high-quality finish products. The company has acquired years of experience in the supply of its products, with a clear vision in mind to promote our leading company with quality products and reliable customer services. Our customer satisfaction represents our International Quality products and services.

## Our products range includes

Our Product range includes Plain & Spring Channel Nuts, Channel Brackets, Strut Channels, Cantilever Arms, Pipe Clamps, Channel Cable Clamps, Purlin Clamps, Beam Clamps, U Bolts, Riser Clamp, Solar Mounting Hooks, Foundation Bolt L & J Type, Cable Reel Threaded Rod, Fully Threaded Rod, Industrial Fasteners, Fabricated Steel Products, Customized Products, Sheet Metal Components & Other Engineering Goods.

## In house facilities

Power Presses 3 Ton to 150 Tons, Bar Drawing Machine, Hydraulics Threading & Bending Machines, Arc Welding Machines, Automatic Nut Cutting and Taping Machines, Drill Machines, Milling Machines, Channel Roll Forming Machines, Lanco Threading Machines, Electroplating Plant, Hot Dip Galvanizing Plant, Electro Polishing Plant, Tool Room & Hardening and Tempering Furnace.

## Material Grade

Mild Steel, Stainless Steel, 4.8, 5.6 & 8.8.

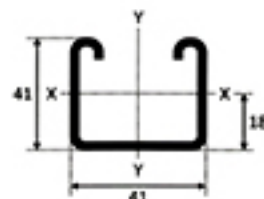
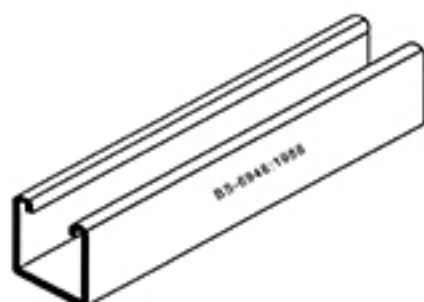
## Material Finish

Zinc Plated, Hot Dip Galvanized & Electro Polished.



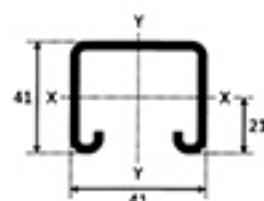
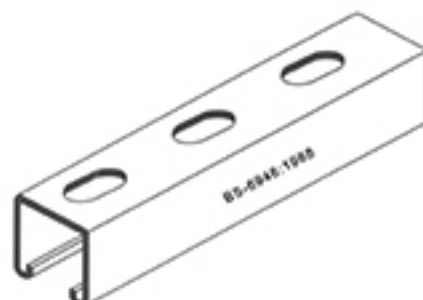
# STRUT CHANNELS

## Plain Channels/GNI-41P



Span or Column Unsupported High (mm)	Uniform Load at 175N/mm <sup>2</sup> Stress (Kg.)	Deflection at 175N/mm <sup>2</sup> (mm)	Uniform Load at Max. Deflection of 1/360 <sup>th</sup> Span (Kg.)	Uniform Load at Max. Deflection of 1/200 <sup>th</sup> Span (Kg.)	Max. Load of Column Loaded @ Slot Face (Kg.)	Max. Load of Column Loaded @ Centroid (Kg.)
250	1769	0.23	-	-	1693	5869
500	884	0.95	-	-	1650	5379
750	589	2.15	571	-	1554	4479
1000	442	3.82	321	-	1395	3373
1250	353	5.97	205	-	1232	2556
1500	294	8.60	142	257	1093	2020
1750	252	11.70	104	188	976	1656
2000	221	15.29	80	144	879	1395
2250	196	19.35	63	114	797	1198
2500	176	23.89	51	92	725	1044
2750	160	28.91	42	76	(663)	(919)
3000	147	34.40	35	64	(607)	(816)

## Slotted Channels/GNI-41S

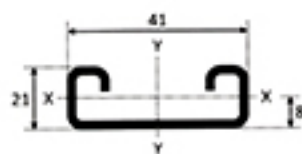
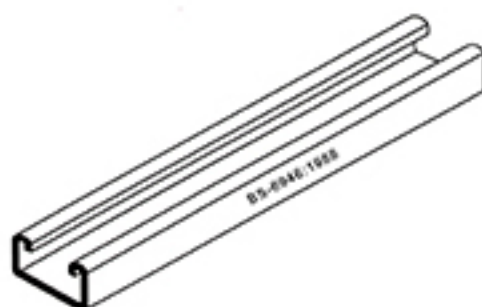


Span or Column Unsupported High (mm)	Uniform Load at 175N/mm <sup>2</sup> Stress (Kg.)	Deflection at 175N/mm <sup>2</sup> (mm)	Uniform Load at Max. Deflection of 1/360 <sup>th</sup> Span (Kg.)	Uniform Load at Max. Deflection of 1/200 <sup>th</sup> Span (Kg.)	Max. Load of Column Loaded @ Slot Face (Kg.)	Max. Load of Column Loaded @ Centroid (Kg.)
250	1638	0.27	-	-	1660	5351
500	819	1.05	-	-	1635	5100
750	546	2.35	483	-	1557	4412
1000	409	4.18	271	-	1389	3284
1250	327	6.54	174	313	1211	2436
1500	273	2.41	120	217	1062	1899
1750	234	12.81	88	159	941	1546
2000	204	16.73	67	122	843	1297
2250	182	21.18	53	96	761	1113
2500	163	26.15	43	78	691	970
2750	148	31.64	35	64	(631)	(855)
3000	136	37.64	30	54	(578)	(761)

Series	Weight	Material Thickness	Standard Lengths		Finishes				Area of Sections	Elements of Sections Axis X-X			Elements of Sections Axis Y-Y		
	Kg/m		mm	3m	6m	PL	PG	HG		SS	cm <sup>2</sup>	1cm <sup>2</sup>	2cm <sup>2</sup>	cm	1cm <sup>2</sup>
GNI-41P	2.88	2.5	●	●	●	●	●	○	3.35	7.21	3.10	1.46	9.23	4.47	1.66
GNI-41S	2.73	2.5	●	●	●	●	●	○	3.00	6.10	2.87	1.42	1.42	4.44	1.74

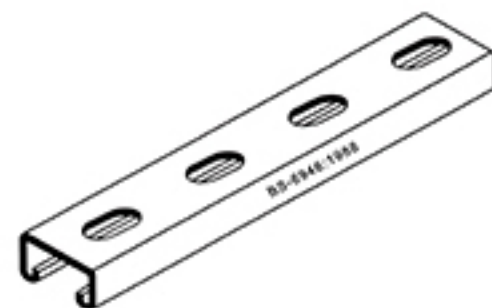
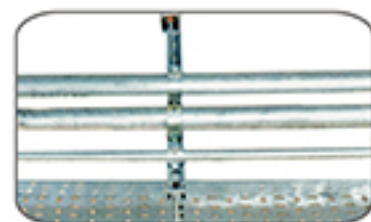
# STRUT CHANNELS

## Plain Channels/GNI-21P



Span or Column Unsupported High (mm)	Uniform Load at 175N/mm <sup>2</sup> Stress (Kg.)	Deflection at 175N/mm <sup>2</sup> (mm)	Uniform Load at Max. Deflection of 1/360° Span (Kg.)	Uniform Load at Max. Deflection of 1/200° Span (Kg.)	Max. Load of Column Loaded @ Slot Face (Kg.)	Max. Load of Column Loaded @ Centroid (Kg.)
250	553	0.45	-	-	1042	3993
500	276	1.81	212	-	995	3379
750	184	4.07	94	169	859	2198
1000	138	7.24	53	95	690	1353
1250	110	11.32	33	61	548	896
1500	92	16.30	23	42	(437)	(634)
1750	79	22.19	-	31	(353)	(471)
2000	69	28.99	-	23		

## Slotted Channels/GNI-21S

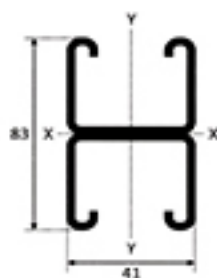
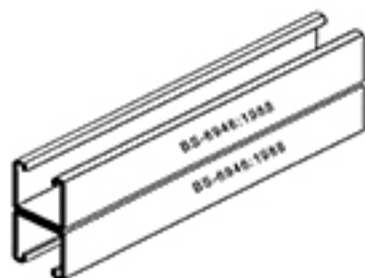


Span or Column Unsupported High (mm)	Uniform Load at 175N/mm <sup>2</sup> Stress (Kg.)	Deflection at 175N/mm <sup>2</sup> (mm)	Uniform Load at Max. Deflection of 1/360° Span (Kg.)	Uniform Load at Max. Deflection of 1/200° Span (Kg.)	Max. Load of Column Loaded @ Slot Face (Kg.)	Max. Load of Column Loaded @ Centroid (Kg.)
250	508	0.50	-	-	-	-
500	254	2.01	174	-	-	-
750	169	4.54	77	139	-	-
1000	127	8.07	43	78	-	-
1250	101	12.61	27	50	-	-
1500	84	18.71	-	34	-	-
1750	72	24.73	-	25	-	-
2000	63	32.30	-	-	-	-

Series	Weight	Material Thickness (mm)	Standard Lengths		Finishes				Area of Sections (cm <sup>2</sup> )	Elements of Sections Axis X-X			Elements of Sections Axis Y-Y		
	Kg/m		3m	6m	PL	PG	HG	SS		1cm <sup>2</sup>	Zcm <sup>2</sup>	cm	1cm <sup>2</sup>	Zcm <sup>2</sup>	cm
GNI-21/P	1.91	2.5	●	●	●	●	●	○	2.32	1.19	0.97	0.71	5.34	2.59	1.51
GNI-21/S	1.76	2.5	●	●	●	●	●	○	1.97	0.98	0.89	0.70	5.29	2.56	1.63

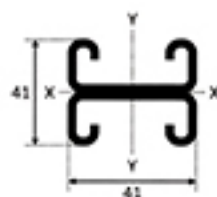
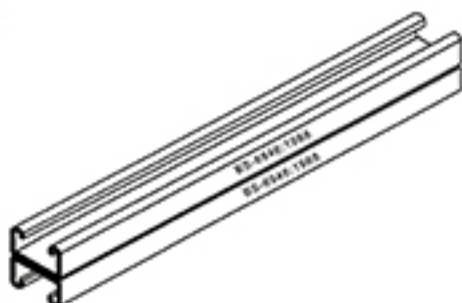
# STRUT CHANNELS

## Combination Channels/GNI-41/BBP



Span or Column Unsupported High (mm)	Uniform Load at 175N/mm <sup>2</sup> Stress (Kg.)	Deflection at 175N/mm <sup>2</sup> (mm)	Uniform Load at Max. Deflection of 1/360 <sup>th</sup> Span (Kg.)	Uniform Load at Max. Deflection of 1/200 <sup>th</sup> Span (Kg.)	Max. Load of Column Loaded @ Slot Face (Kg.)	Max. Load of Column Loaded @ Centroid (Kg.)
250	-	-	-	-	2880	11952
500	-	-	-	-	2864	11682
750	1670	1.21	-	-	2833	11186
1000	1253	2.15	-	-	2783	10451
1250	1002	3.36	-	-	2695	9305
1500	835	4.84	718	-	2551	7790
1750	716	6.59	527	-	2367	6293
2000	626	8.61	404	-	2170	5068
2250	556	10.89	319	-	1977	4127
2500	501	13.45	258	465	1796	3410
2750	455	16.27	213	384	1630	2858
3000	417	19.37	179	323	(1480)	(2427)

## Combination Channels/GNI-21/BBP



Span or Column Unsupported High (mm)	Uniform Load at 175N/mm <sup>2</sup> Stress (Kg.)	Deflection at 175N/mm <sup>2</sup> (mm)	Uniform Load at Max. Deflection of 1/360 <sup>th</sup> Span (Kg.)	Uniform Load at Max. Deflection of 1/200 <sup>th</sup> Span (Kg.)	Max. Load of Column Loaded @ Slot Face (Kg.)	Max. Load of Column Loaded @ Centroid (Kg.)
250	1558	0.26	-	-	1834	8228
500	779	1.07	-	-	1809	7740
750	519	2.42	446	-	1756	6865
1000	389	4.30	251	-	1639	5367
1250	311	6.72	160	289	1468	3882
1500	259	9.68	111	201	1289	2838
1750	222	13.18	82	147	1123	2143
2000	194	17.21	62	113	(977)	(1668)
2250	173	21.79	49	89	(852)	(1334)
2500	155	26.90	40	72	(745)	(1090)
2750	141	32.55	33	59	(655)	(906)
3000	129	38.73	27	50	-	-

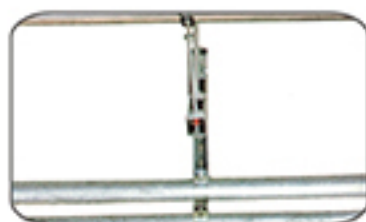
Series	Weight	Material Thickness (mm)	Standard Lengths		Finishes				Area of Sections (cm <sup>2</sup> )	Elements of Sections Axis X-X			Elements of Sections Axis Y-Y		
	Kg/m		3m	6m	PL	PG	HG	SS		1cm <sup>2</sup>	2cm <sup>2</sup>	cm	1cm <sup>2</sup>	2cm <sup>2</sup>	cm
GNI-41/BBP	5.77	2.5	●	●	●	●	●	○	6.70	6.27	8.78	2.32	18.46	8.94	1.66
GNI-21/BBP	3.76	2.5	●	●	●	●	●	○	4.64	5.64	2.73	1.10	10.68	5.18	1.51

# CHANNELS NUTS

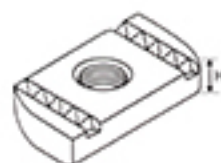
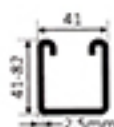
**Material:** The channel nuts are cold pressed, tapped so that their teeth will provide a "BITING" action into the in turned edges of channel sections. The nut bodies are designed with beveled end which lock into position by contact with interior side walls of channel when turned at 90 degree.

- The channel nuts are also available in SS304 and SS316 grades in bright finish
- Our products are produced as per the requirements of BS6946.

**Finishes available:** Zinc plated | Yellow passivation | Hot dip galvanized  
Case hardened channel nuts are also available.

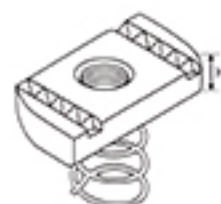
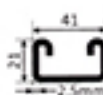


## No Spring Channel Nuts



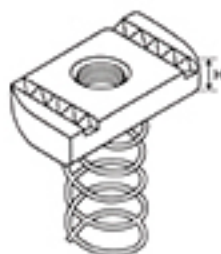
Part No.	Size Thread x Height (mm)	Part No.	Size Thread x Height (inch)
GN1001	M6 X 6 MM	GN1101	1/4" x 1/4"
GN1002	M8 X 6 MM	GN1102	5/16" x 5/16"
GN1003	M10 X 8 MM	GN1103	5/16" x 3/8"
GN1004	M12 X 8 MM	GN1104	3/8" x 3/8"
GN1351	M12 X 10 MM	GN1105	1/2" x 3/8"
GN1352	M16 X 12 MM	GN1106	1/2" x 1/2"
		GN1107	5/8 to 7/8" x 3/8"
		GN1108	5/8 to 7/8" x 7/16"
		GN1109	5/8 to 7/8" x 1/2"

## Short/Conical Spring Channel Nuts



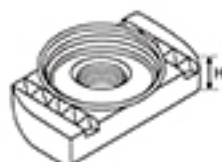
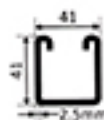
Part No.	Size Thread x Height (mm)	Part No.	Size Thread x Height (inch)
GN1005	M6 X 6 MM	GN1110	1/4" x 1/4"
GN1006	M8 X 6 MM	GN1111	5/16" x 5/16"
GN1007	M10 X 8 MM	GN1112	5/16" x 3/8"
GN1008	M12 X 8 MM	GN1113	3/8" x 3/8"
GN1353	M12 X 10 MM	GN1114	1/2" x 1/2"
		GN1115	1/2" x 3/8"

## Long Spring Channel Nuts



Part No.	Size Thread x Height (mm)	Part No.	Size Thread x Height (inch)
GN1009	M6 X 6 MM	GN1116	1/4" x 1/4"
GN1010	M8 X 6 MM	GN1117	5/16" x 5/16"
GN1011	M10 X 8 MM	GN1118	5/16" x 3/8"
GN1012	M12 X 8 MM	GN1119	3/8" x 3/8"
GN1354	M12 X 10 MM	GN1120	1/2" x 1/2"
		GN1121	5/8 to 7/8" x 3/8"
		GN1122	5/8 to 7/8" x 7/16"
		GN1123	5/8 to 7/8" x 1/2"
		GN1124	1/2" x 3/8"

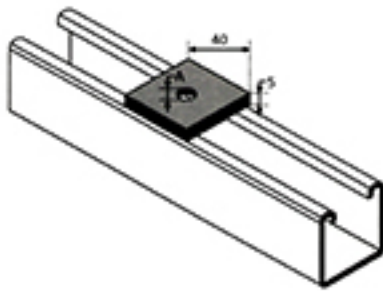
## Top Grip Spring Channel Nuts



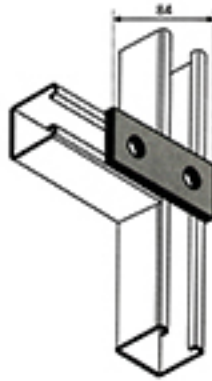
Part No.	Size Thread x Height (mm)	Part No.	Size Thread x Height (inch)
GN1013	M6 X 6 MM	GN1125	1/4" x 1/4"
GN1014	M8 X 6 MM	GN1126	5/16" x 5/16"
GN1015	M10 X 8 MM	GN1127	5/16" x 3/8"
GN1016	M12 X 8 MM	GN1128	3/8" x 3/8"
GN1355	M12 X 10 MM	GN1129	1/2" x 1/2"
		GN1130	1/2" x 3/8"

# CHANNEL FITTINGS

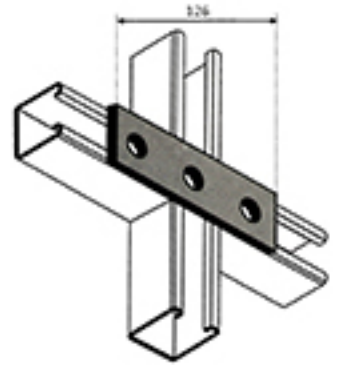
Flat Plate (Single Hole)/GNI-151



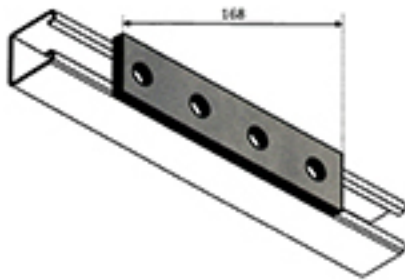
Flat Plate (Two Hole)/GNI-151-A



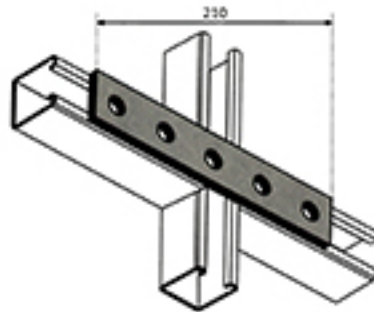
Flat Plate (Three Hole)/GNI-151-B



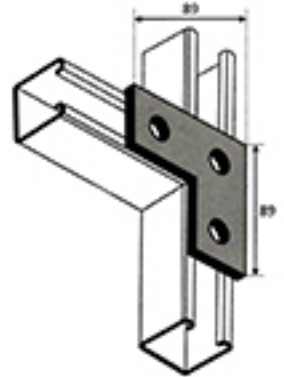
Flat Plate (Four Hole)/GNI-151-C



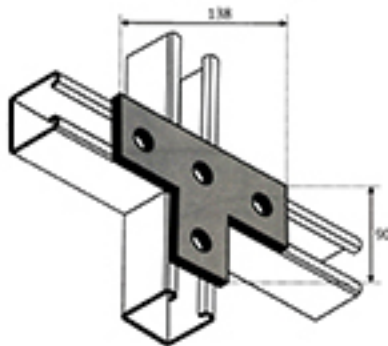
Flat Plate (Five Hole)/GNI-151-D



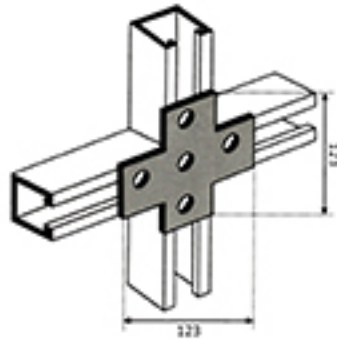
Flat L Bracket (Three Hole)/GNI-152



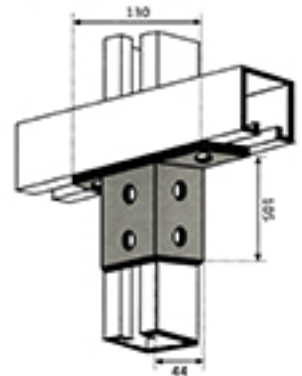
Flat T Bracket (Four Hole)/GNI-153



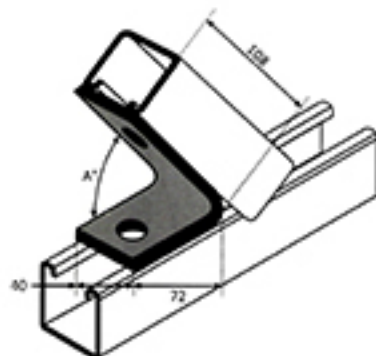
Cross Bracket (Five Hole)/GNI-199



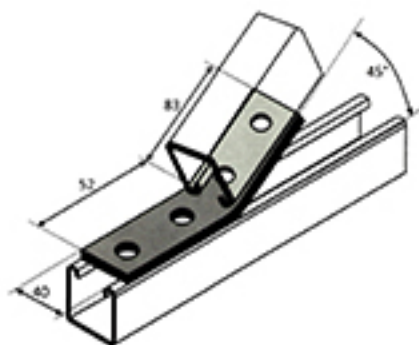
2 Lug Wing Fitting /GNI-184



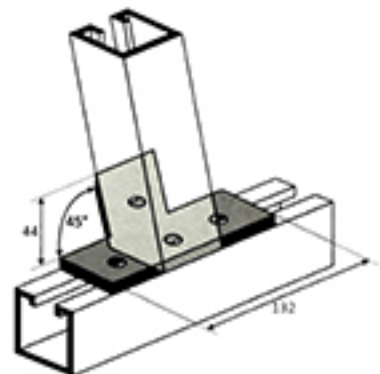
Angle Acute Bracket (2 Hole)/GNI-162



Angle Bracket (4 Hole)/GNI-157

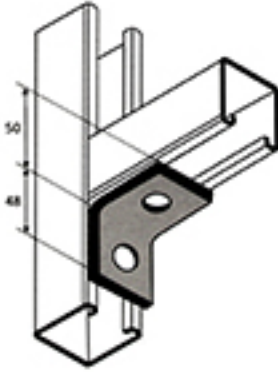


T Bracket (4 Hole)/GNI-164

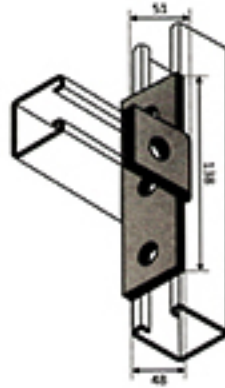


## CHANNEL FITTINGS

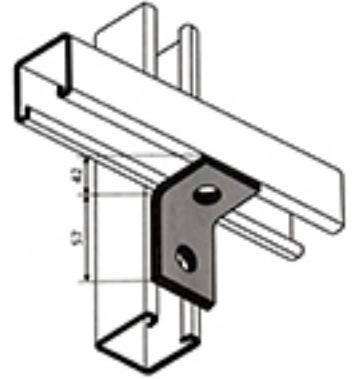
90° Angle Bracket (2 Hole)/GNI-160



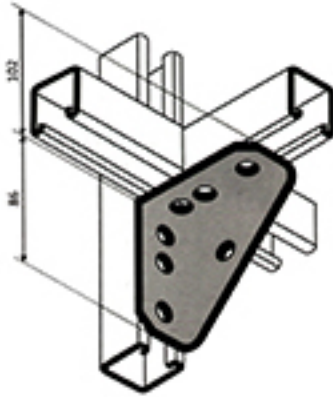
90° Angle Bracket (4 Hole)/GNI-164



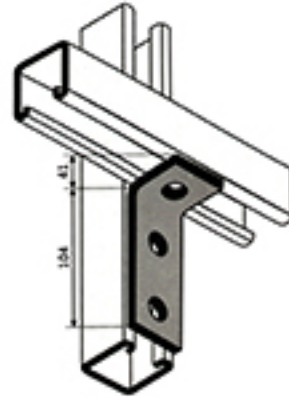
90° Angle Bracket (2 Hole)/GNI-158



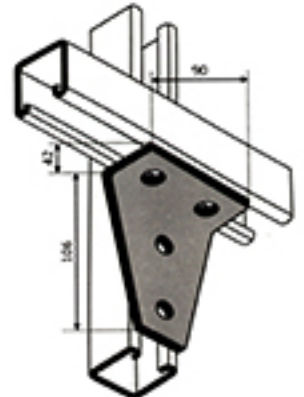
90° Welded Angle Bracket /GNI-166



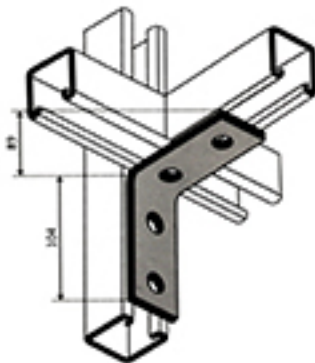
90° Angle Bracket (3 Hole)/GNI-161



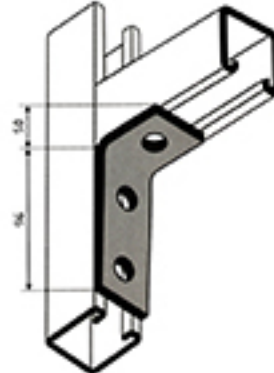
90° Delta Bracket (4 Hole)/GNI-168



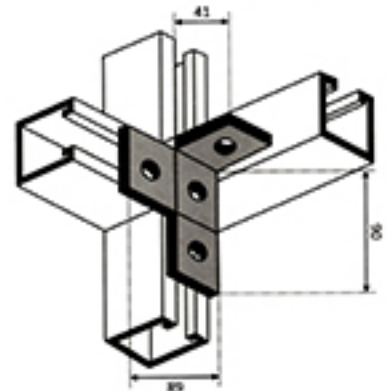
90° Angle Bracket (4 Hole)/GNI-160-A



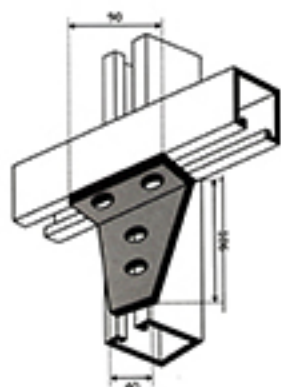
90° Angle Bracket (3 Hole)/GNI-161-A



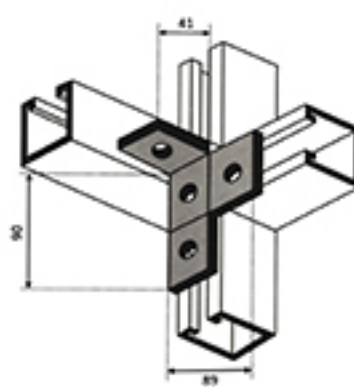
90° T Bracket Left Bend (4 Hole)/GNI-165



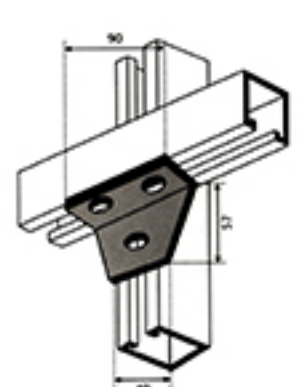
90° Delta Bracket (4 Hole)/GNI-167



90° T Bracket Right Bend (4 Hole)/GNI-165-A

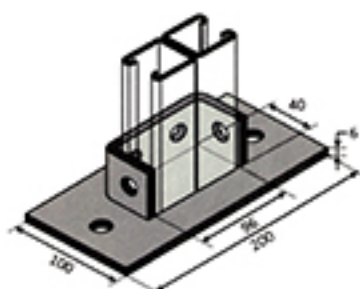


90° Delta Bracket (3 Hole)/GNI-169

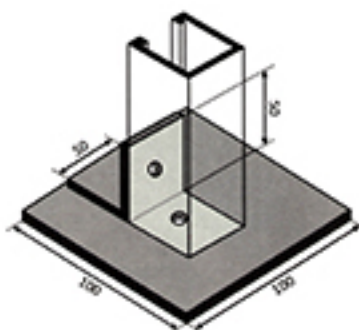


## CHANNEL FITTINGS

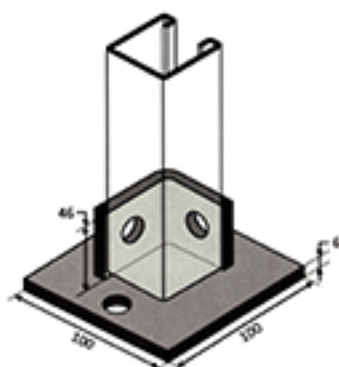
Channel Base Plate/**GNI-180**



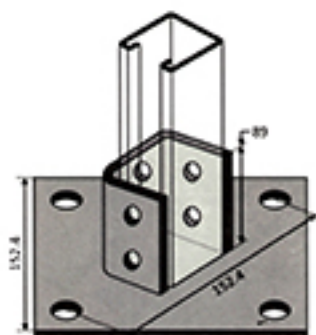
Channel Base Plate/**GNI-177**



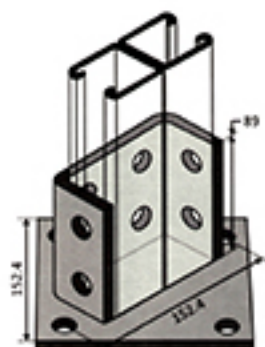
Channel Base Plate/**GNI-178**



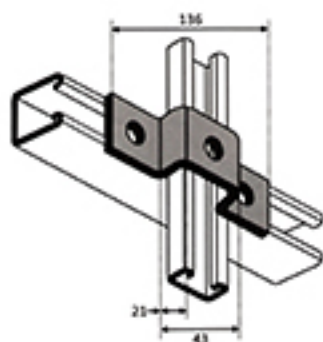
Channel Base Plate (41mm)/**GNI-189**



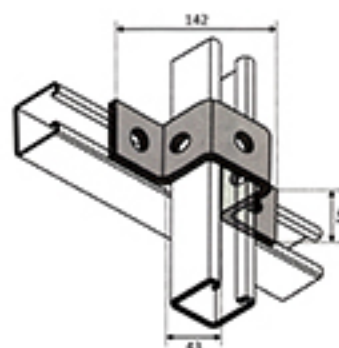
Channel Base Plate (82mm)/**GNI-182**



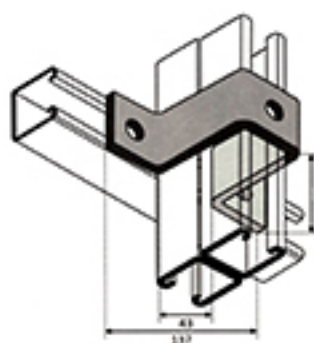
U Bracket & Channel Coupler/**GNI-174**



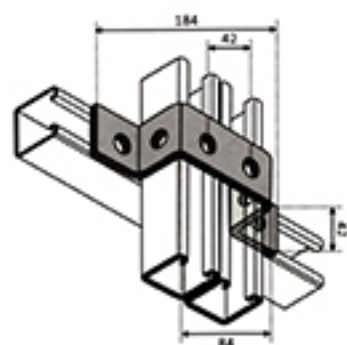
U Bracket & Channel Coupler/**GNI-175**



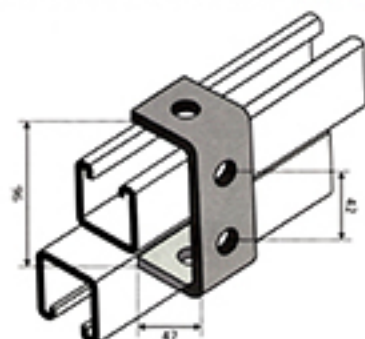
U Bracket & Channel Coupler/**GNI-176**



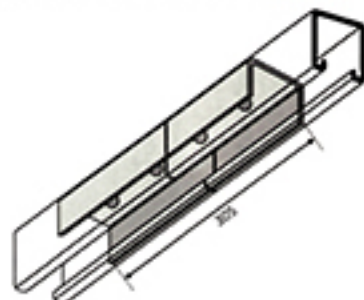
U Bracket & Channel Coupler/**GNI-175-A**



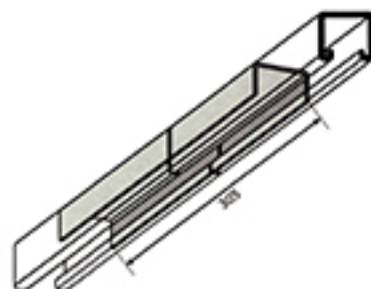
U Bracket & Channel Coupler/**GNI-173**



Internal Coupler (41mm)/**GNI-203**

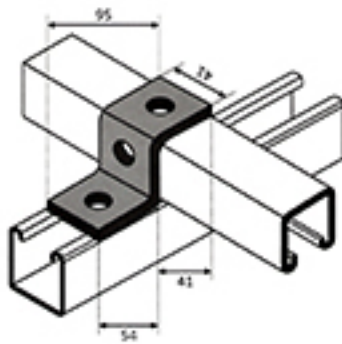


Internal Coupler (21mm)/**GNI-202**

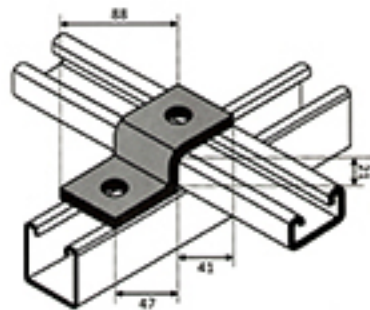


## CHANNEL FITTINGS

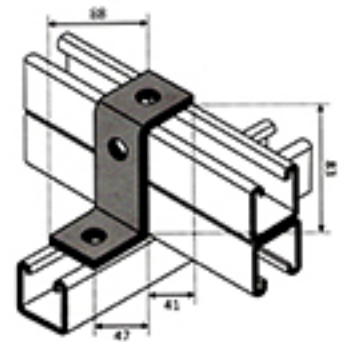
**Z Fitting (3 Hole)/GNI-171**



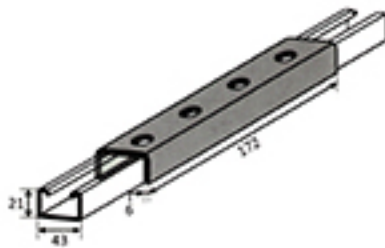
**Z Fitting (2 Hole)/GNI-170**



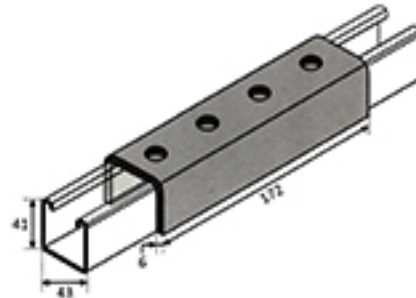
**Z Fitting (3 Hole)/GNI-172**



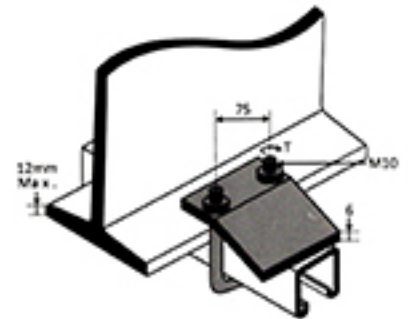
**External Coupler (21mm)/GNI-200**



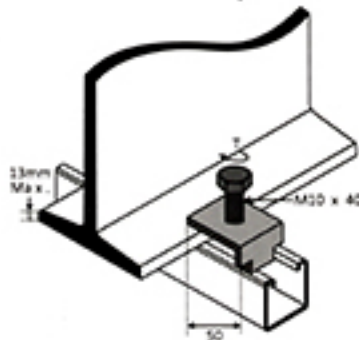
**External Coupler (41mm)/GNI-201**



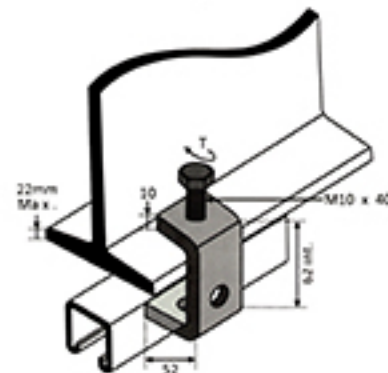
**Beam Clamp U Bolt (41mm)/GNI-195**



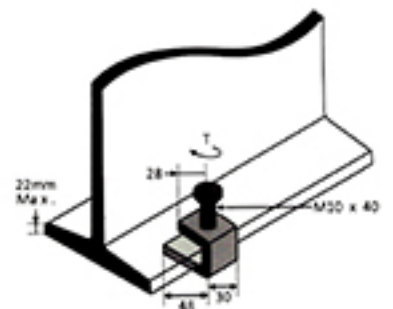
**Toe Beam Clamp /GNI-189**



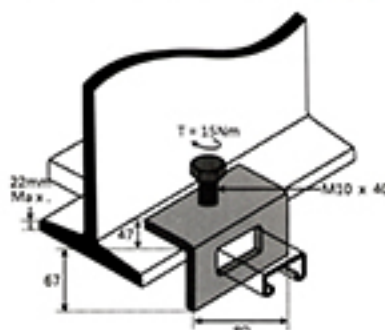
**Beam Clamp /GNI-187**



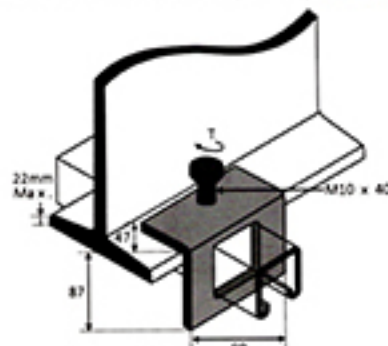
**Beam Clamp /GNI-185**



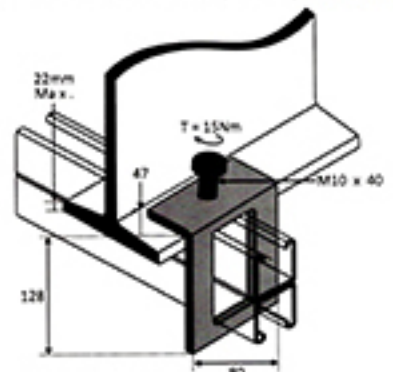
**Window Beam Clamp (21mm)/GNI-192**



**Window Beam Clamp (41mm)/GNI-193**

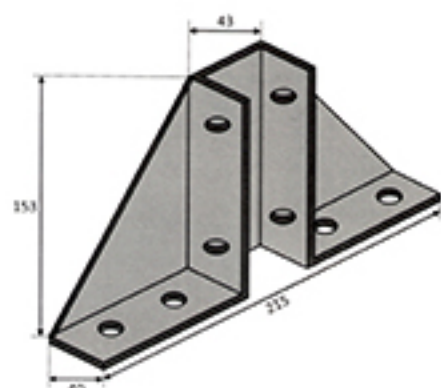


**Window Beam Clamp (82mm)/GNI-194**

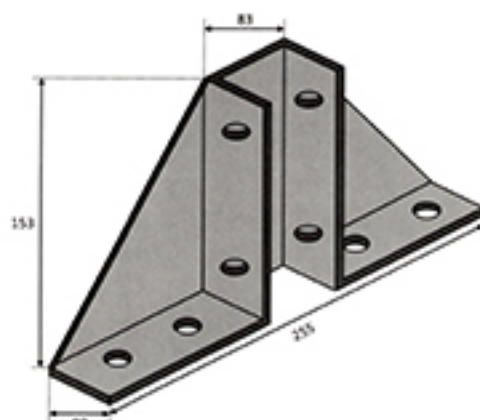


## CHANNEL FITTINGS

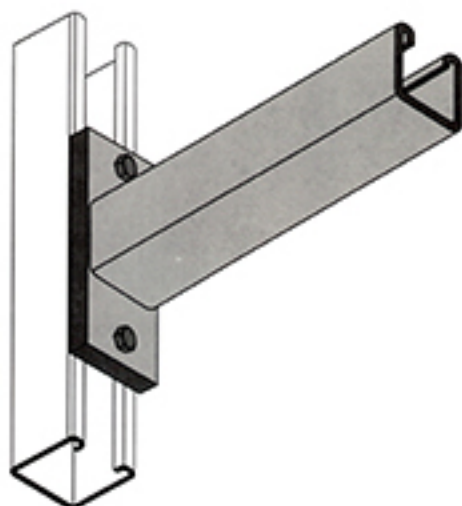
Single Channel Gusset Bracket/**GNI-181**



Double Channel Gusset Bracket/**GNI-182**

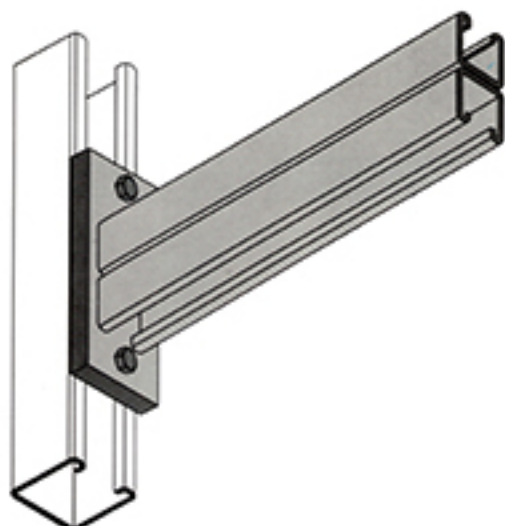


Cantilever Arm Single Channel/**GNI-101**

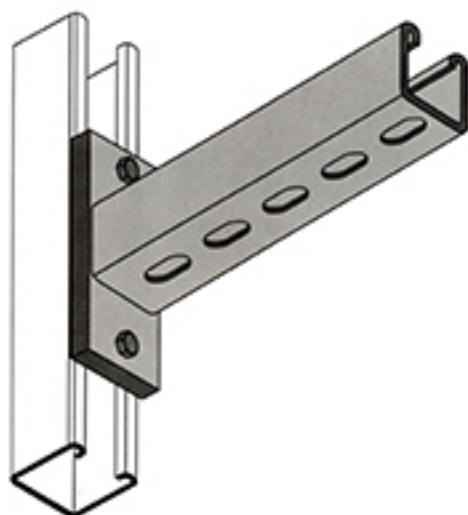


Part No.	Dimension of Channel Length x Width x Height x Thickness	Finish	Material
GNI 101	150 x 41 x 41 x 2.5mm	Hot Dip Galvanized	Mild Steel
GNI 102	300 x 41 x 41 x 2.5mm		
GNI 103	450 x 41 x 41 x 2.5mm		
GNI 104	600 x 41 x 41 x 2.5mm		
GNI 105	750 x 41 x 41 x 2.5mm		
GNI 106	6 x 1½ x 1½"x12g	Bright Zinc Plated	
GNI 107	12 x 1½ x 1½"x12g		
GNI 108	18 x 1½ x 1½"x12g		
GNI 109	24 x 1½ x 1½"x12g		
GNI 110	30 x 1½ x 1½"x12g		

Cantilever Arm Double Channel/**GNI-121**

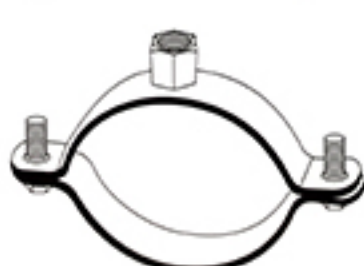


Cantilever Arm Slotted Channel/**GNI-111**

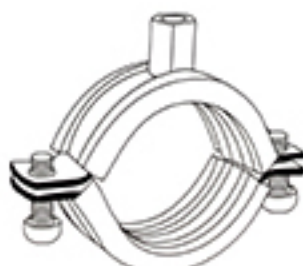


## Pipe Clamps

### Unlined / Rubber Lined Pipe Clamps



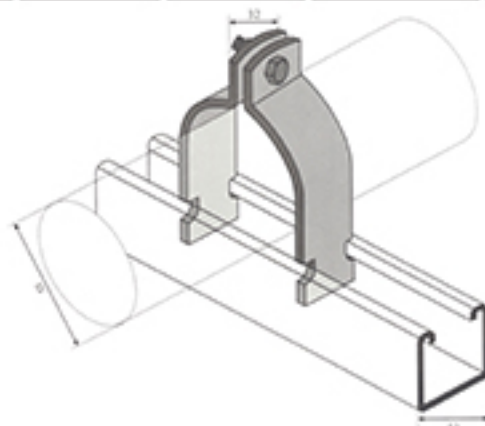
Unlined Pipe Clamps



Rubber Lined Pipe Clamps

Part No.	Size	Clip $\phi$ (mm)	Part No.	Size	Clip $\phi$ (mm)	Part No.	Size	Clip $\phi$ (mm)
GNI 651	5/16"	12 - 15	GNI 659	2"	60 - 64	GNI 667	110mm	107 - 112
GNI 652	3/8"	15 - 19	GNI 660	64-67mm	64 - 67	GNI 668	4"	113 - 118
GNI 653	1/2"	20 - 25	GNI 661	70mm	67 - 72	GNI 669	118-126mm	118 - 126
GNI 654	3/4"	26 - 30	GNI 662	2-1/2"	75 - 80	GNI 670	126-138mm	126 - 138
GNI 655	1"	32 - 36	GNI 663	80-87mm	80 - 87	GNI 671	5"	138 - 142
GNI 656	1-1/4"	38 - 43	GNI 664	3"	87 - 92	GNI 672	142-159mm	142 - 159
GNI 657	1-1/2"	47 - 51	GNI 665	90-96mm	90 - 96	GNI 673	6"	159 - 166
GNI 658	54mm	53 - 58	GNI 666	3-1/2"	96 - 102	GNI 674	165-188mm	165 - 188

### Channel Pipe Clamps



Part No.	D (mm)	Part No.	D (mm)	Part No.	D (mm)
GNI 551	8.7 - 10.3	GNI 563	31.8 - 35.9	GNI 575	82.6 - 88.1
GNI 552	10.3 - 12.7	GNI 564	34.9 - 39.7	GNI 576	88.1 - 95.2
GNI 553	11.9 - 13.5	GNI 565	39.7 - 42.9	GNI 577	95.2 - 100.0
GNI 554	13.5 - 14.3	GNI 566	42.9 - 46.8	GNI 578	100.0 - 106.4
GNI 555	14.3 - 16.7	GNI 567	46.8 - 50.8	GNI 579	106.4 - 111.1
GNI 556	15.9 - 18.3	GNI 568	48.4 - 52.4	GNI 580	111.1 - 120.7
GNI 557	18.3 - 20.6	GNI 569	52.4 - 58.7	GNI 581	120.7 - 129.4
GNI 558	19.0 - 21.4	GNI 570	58.7 - 63.5	GNI 582	129.4 - 138.1
GNI 559	21.4 - 25.4	GNI 571	63.5 - 68.3	GNI 583	138.1 - 149.2
GNI 560	25.4 - 27.8	GNI 572	68.3 - 73.0	GNI 584	149.2 - 161.9
GNI 561	27.0 - 30.2	GNI 573	73.0 - 79.4	GNI 585	161.9 - 174.6
GNI 562	30.2 - 33.8	GNI 574	76.2 - 82.6	GNI 586	174.6 - 182.6

Inch series also available

## MOUNTING STRUCTURE

### Mounting Structure For Solar System

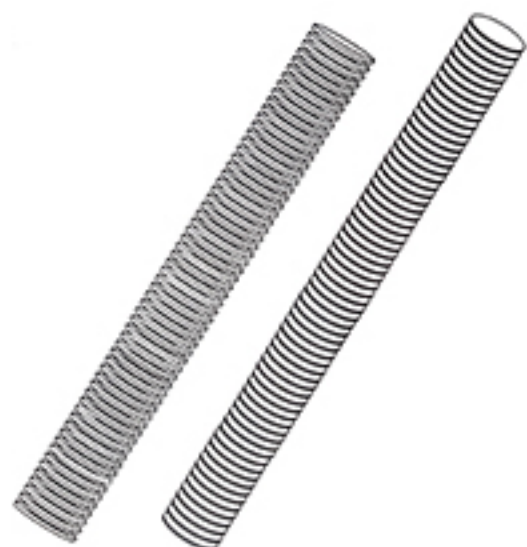


### Air Conditioner Outdoor Unit Mounting Bracket



## SPECIAL FASTENERS

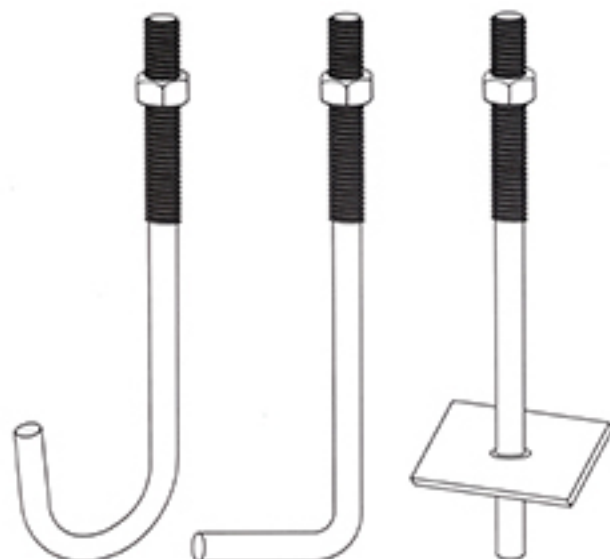
### Threaded Rods



Dia	Length
M6 - M20	1 - 3m
1/4" - 1"	10'

Customized lengths also available on demand

### Foundation / Anchor Bolts



Dia	Length	Bend Type
M12 - M76	200 - 2000mm	J Type
1/2" - 3"	10 - 80"	L Type
24mm	2000mm	Eye Type

Customized sizes also available on demand

## GENERAL ACCESSORIES

**Cone Head Screws**



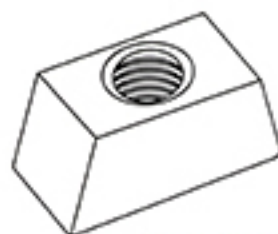
Size : M10 X 40mm

**Purlin Clip**



Size : M10 - M12

**Wedge Nuts**



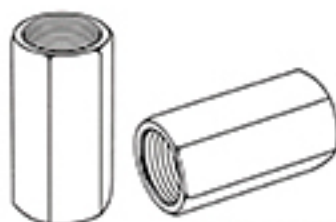
Size : M6 - M12

**Roofing Nuts & Bolts**



Dia : M6 - M8  
Length : 8 - 80mm

**Coupling Nuts**

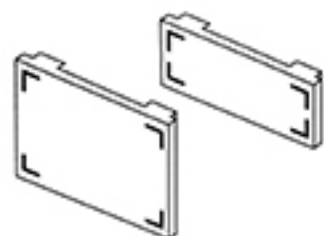


Size : M10 - M24

**Swivel Hanger**

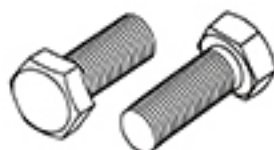


**Pvc End Caps**



Size : 21 & 41mm

**Hexagon Head Screws**



Size : M6 - M24

**Hexagon Nuts**



Size : M6 - M52

**Flat Washers**



Size : M6 - M48

**Pan Head Machine Screws**

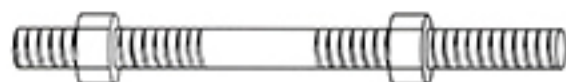


Size : M6 - M12

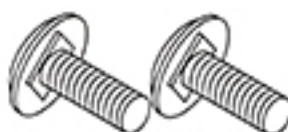
**Cable Tray Coupler**



**Cable Reel Rods**



**Button Head Bolts & Nuts Hdg**

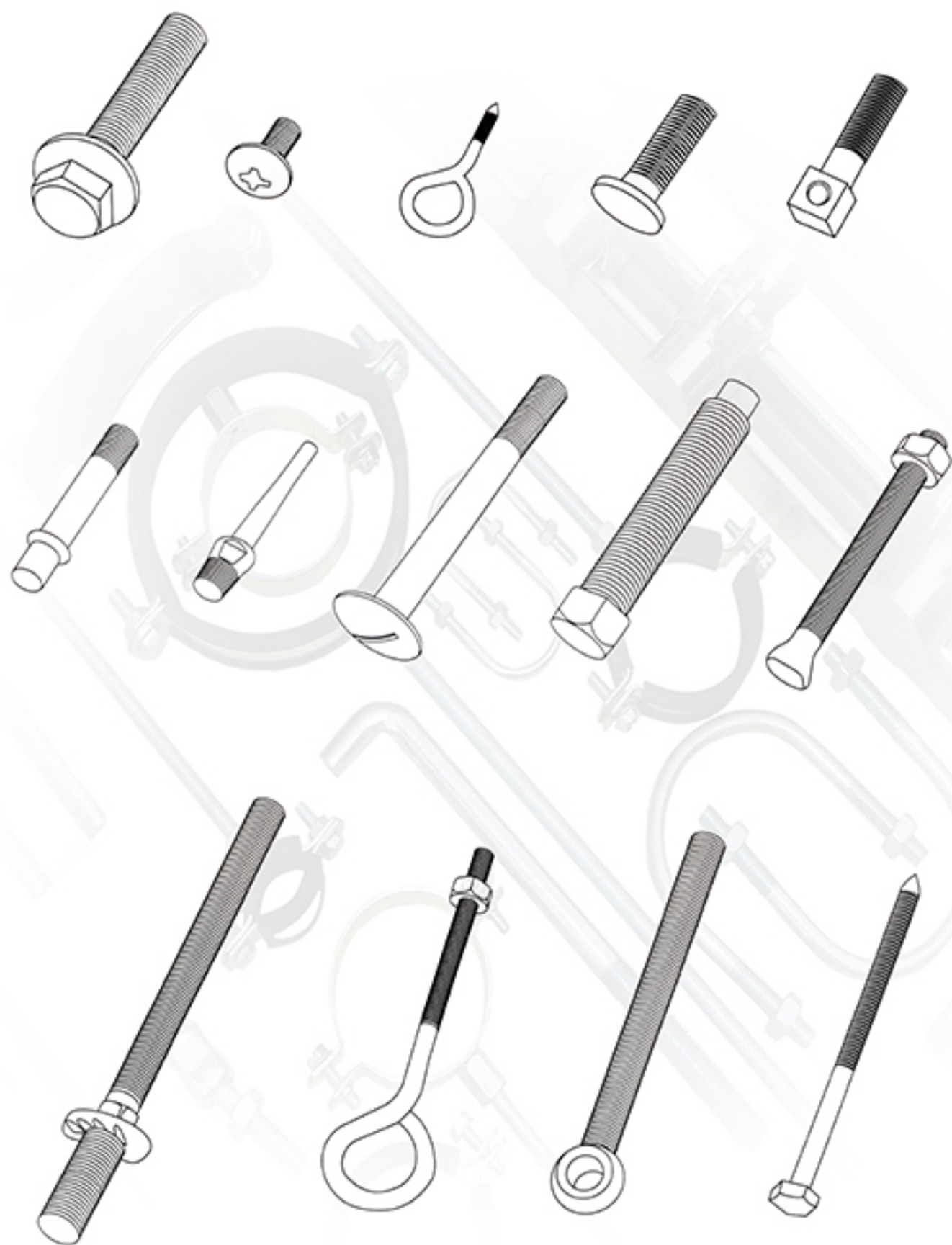


**Casting G - Clamp**



Size : M6 - M12

## SPECIAL FASTENERS

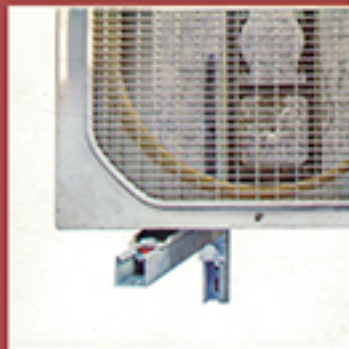
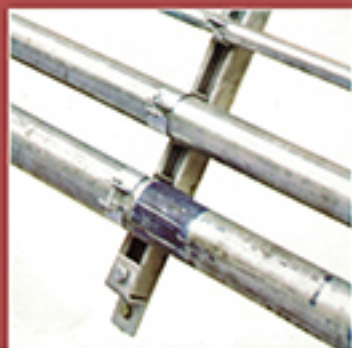




**Excellence in Quality and Delivery**

An ISO 9001 : 2015 Certified Company

Customizations of products as per  
Customer samples and drawings.



**Constructing relations with our  
Customers all around the globe.**



## **G.N.INDUSTRIES**

Plot No. B31/6757, St. No. 9, Kishore Nagar, Tajpur Road,  
Ludhiana - 141008, Punjab (India)

Telephone Number :- +91-161-2933302, Mob :- +91-98888-78300

Email :- govind@gniexports.com, exportsgni@gmail.com

[www.gniexports.com](http://www.gniexports.com)